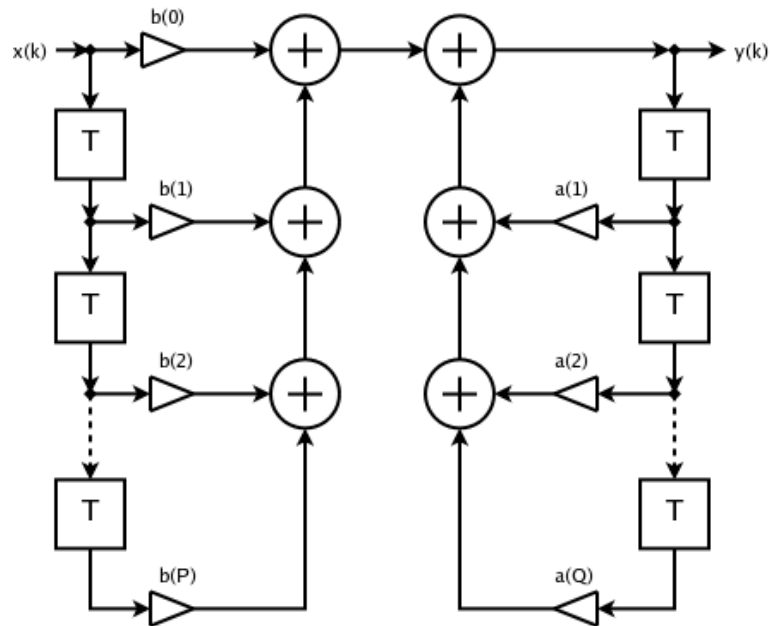


Filter



Export parametrov filtra FIR

`b = fir1(N, Wn, type)`

`N = order`

`Wn = 0 < w < 1`

`type = 'low', 'high'`

`Wn = [w1 w2]`

`type = 'bandpass', 'stop'`

`b = array N + 1`

Export parametrov filtra IIR

`b, a = butter(N, Wn, type)`

`N = order`

`Wn = 0 < w < 1`

`type = 'low', 'high'`

`b, a = array N + 1`

`Wn = [w1 w2]`

`type = 'bandpass', 'stop'`

`b, a = array 2N + 1`

Zobrazenie odzvy

`freqz(b, a)`

Parametre pre Wn

`Wn = 0 .. 1`

`0 = 0 Hz`

`1 = Nyquist fre`

`nyq = sample freq / 2`